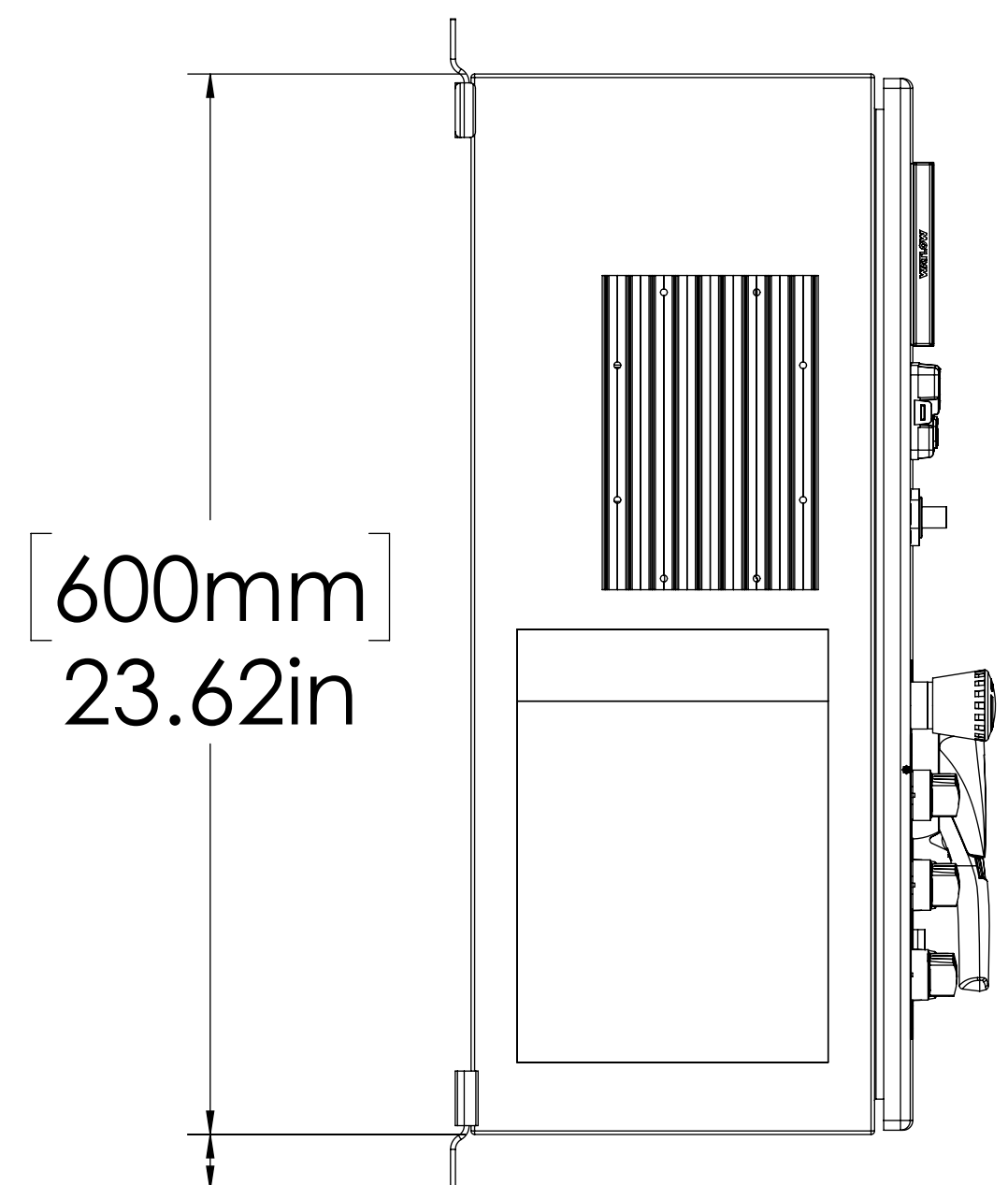


8 7 6 5 4 3 2 1

D
C
B
A

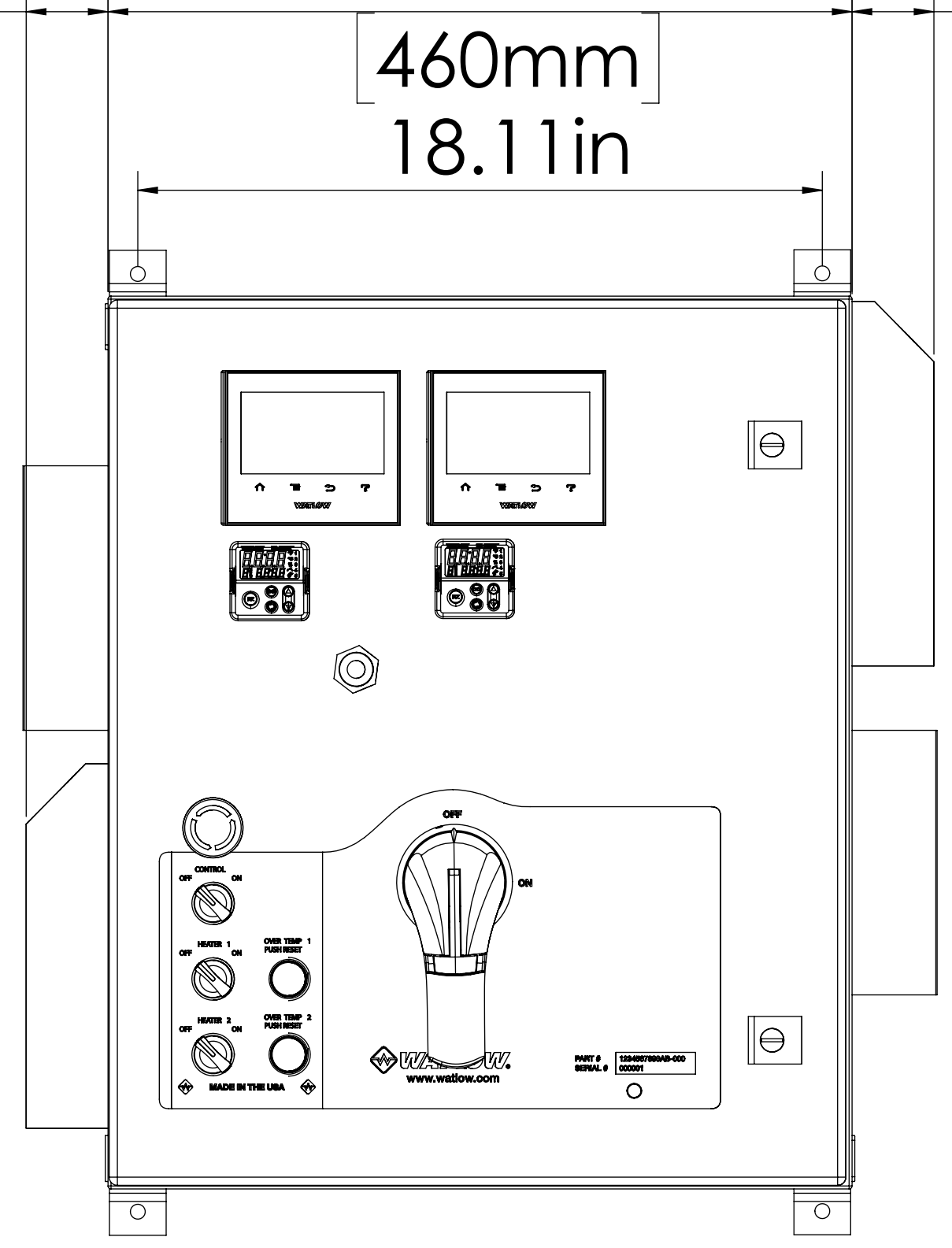


[600mm]
23.62in

[31mm]
1.25in
TYP.

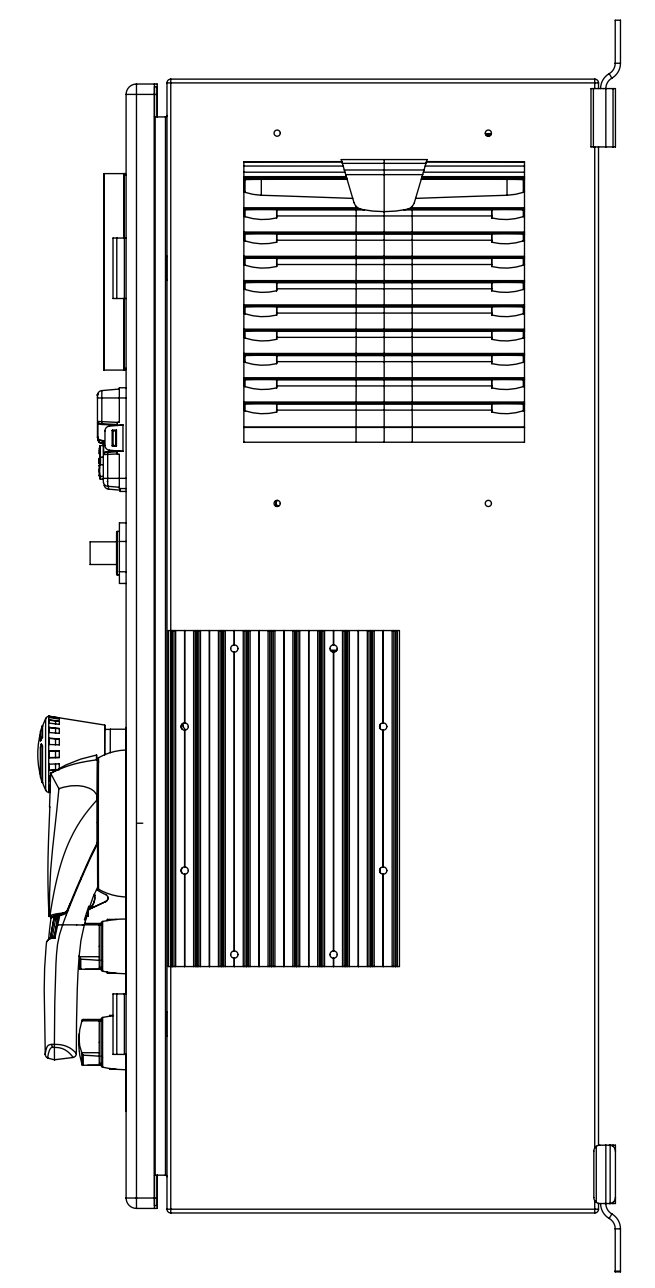
LEFT SIDE VIEW

[55mm] 2.17in [500mm] 19.69in [55mm] 2.17in

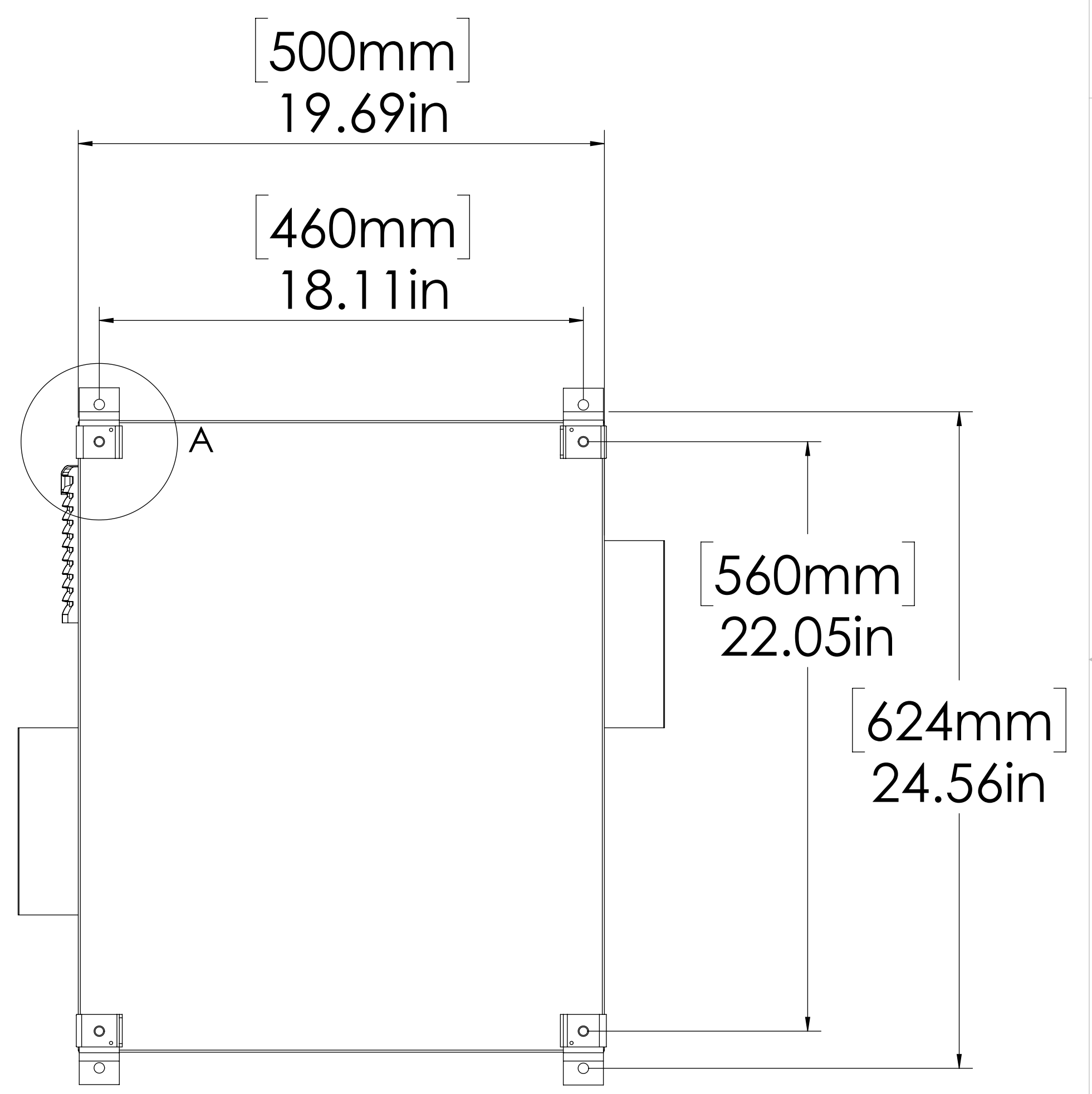


[460mm]
18.11in

FRONT VIEW



RIGT SIDE VIEW



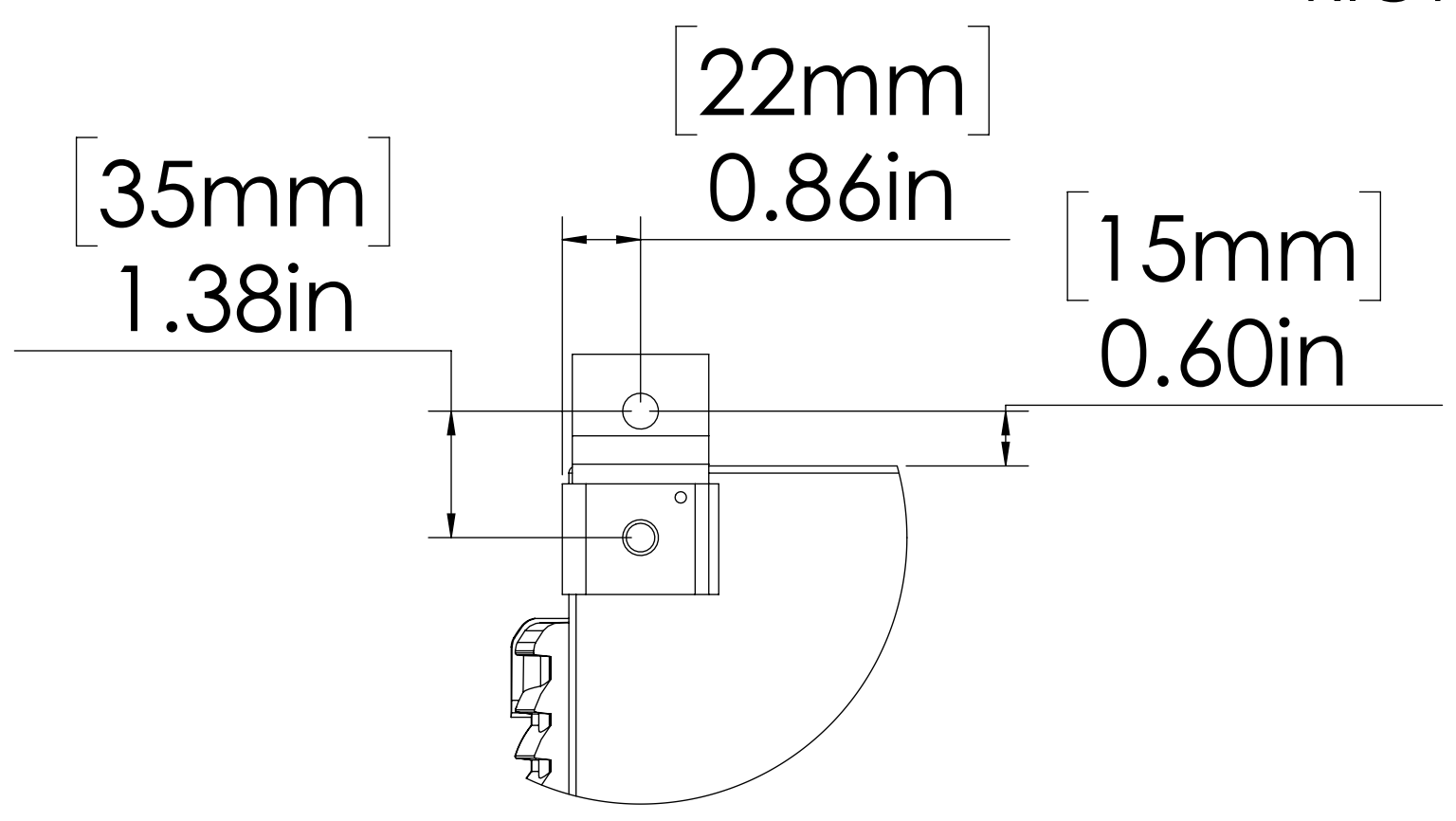
[500mm]
19.69in

[460mm]
18.11in

[560mm]
22.05in

[624mm]
24.56in

REAR VIEW
W/ NO FAN



DETAIL A
SCALE 1:2

[35mm]
1.38in

[22mm]
0.86in

[15mm]
0.60in

| | | | |
|----------------------------------------------------------------------------------------------------------------------------------------------------------------------------------------------------------------------------------------------------------------------------------------------------------------|-------------------------|-------------------------------------------------------------------------|------------|
| UNLESS OTHERWISE SPECIFIED, DIMENSIONS AND TOLERANCING ARE IN INCHES AND PER ANSI Y14.5M | | PRCH | |
| TOLERANCES: X.X ± 0.015 X.XXX ± 0.005 X.XX ± 0.010 ANGLES ± 2° | | ENG | |
| MATERIAL | | MFG | |
| ENTER MATERIAL | ENTER TITLE | TITLE | |
| FINISH | PART NO. | | |
| ENTER FINISH | C2 SMALL NON HAZ | | |
| DWNN | ENTER INITIALS AND DATE | SCALE 1:4 | SHT 1 OF 1 |
| NOTICE TO PERSONS RECEIVING THIS DRAWING WATLOW CLAIMS PROPRIETARY RIGHTS TO THE MATERIAL HEREIN DISCLOSED. IT IS SUPPLIED IN CONFIDENCE, WITHOUT PREJUDICE TO ANY PATENT RIGHTS OF WATLOW, AND MAY NOT BE REPRODUCED OR USED TO MANUFACTURE ANYTHING SHOWN THEREIN WITHOUT WATLOW'S WRITTEN PERMISSION. | | 16410 LANGFELD ROAD, BUILDING G HOUSTON, TX, 77092 www.watlow.com | |

8 7 6 5 4 3 2 1