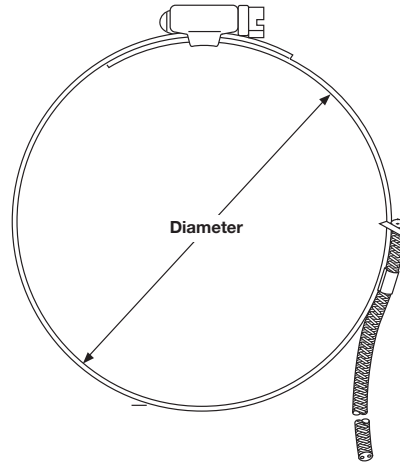
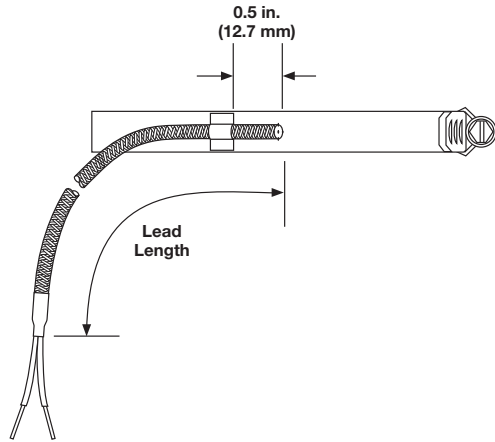


# Thermocouples

## General Applications Tube and Wire

### Pipe Clamp Style 72



The stainless steel clamp allows temperature measurement without drilling or tapping which is ideal for measuring pipe temperatures.

## Ordering Information

### Part Number

| 1 2          | 3        | 4           | 5               | 6        | 7                     | 8 9 10      | 11             |
|--------------|----------|-------------|-----------------|----------|-----------------------|-------------|----------------|
| Const. Style | Diameter | Calibration | Lead Protection | Junction | Clamp Band Dia. Range | Lead Length | Term./ Options |
| 72           | X        |             |                 | G        |                       |             |                |

| 1 2  | Construction Style      |
|------|-------------------------|
| 72 = | Pipe clamp thermocouple |

| 3   | Diameter       |
|-----|----------------|
| X = | Not applicable |

| 4   | Calibration |
|-----|-------------|
| J = | Type J      |
| K = | Type K      |
| T = | Type T      |
| E = | Type E      |

| 5   | Lead Protection   |
|-----|---|
| S = | Fiberglass with stainless steel overbraid (24 gauge stranded) |
| B = | Fiberglass with stainless steel overbraid (20 gauge stranded) |
| U = | PFA with stainless steel overbraid (24 gauge stranded)        |
| W = | PFA with stainless steel overbraid (20 gauge stranded)        |

| 6   | Junction |
|-----|----------|
| G = | Grounded |

| 7   | Clamp Band Diameter Range (in.)   |
|-----|-----------------------------------|
| A = | $1\frac{1}{16}$ to $1\frac{1}{4}$ |
| B = | $1\frac{1}{4}$ to $2\frac{1}{4}$  |
| C = | $2\frac{1}{4}$ to $3\frac{1}{4}$  |
| D = | $3\frac{1}{4}$ to $4\frac{1}{4}$  |
| E = | $4\frac{1}{4}$ to 5               |
| F = | 5 to 6                            |
| G = | 6 to 7                            |

| 8 9 10  | Lead Length (in.) |
|---|-------------------|
| Available lengths: 006 to 360 in., over 360 in. contact factory |                   |

| 11  | Termination Options  |
|-----|--|
| A = | Standard, $2\frac{1}{2}$ in. split leads                           |
| B = | $2\frac{1}{2}$ in. split leads with #6 spade lugs                  |
| C = | $2\frac{1}{2}$ in. split leads with #6 spade lugs and BX connector |
| D = | Standard male plug, quick disconnect                               |
| E = | Standard female jack, quick disconnect                             |
| F = | Miniature male plug, quick disconnect                              |
| G = | Miniature female jack, quick disconnect                            |
| H = | $\frac{1}{4}$ in. push-on connector                                |